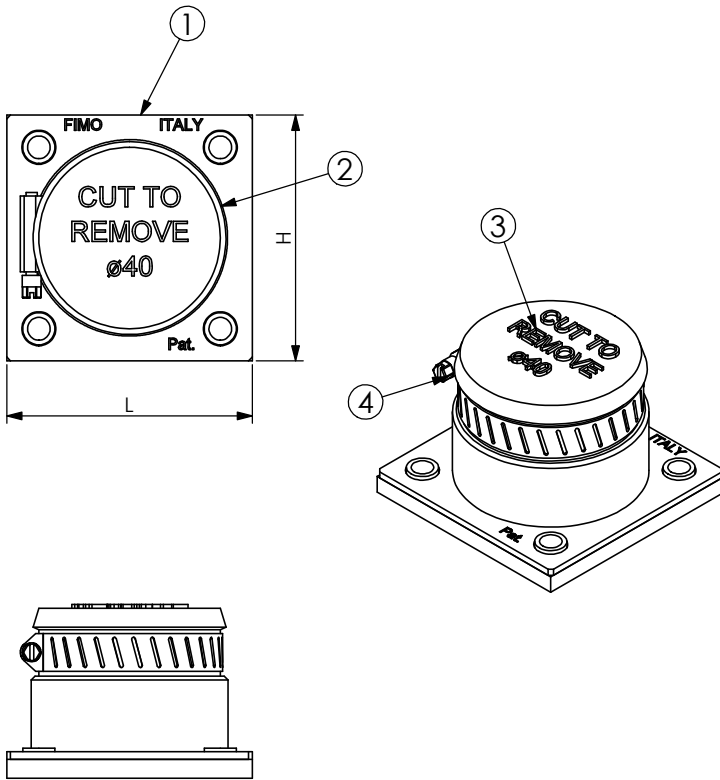


# PRODUCT DATA SHEET



## A) SPECIFICATIONS

- 1 Stainless Steel Plate
- 2 Black EPDM Gasket
- 3 Removable Protective Film
- 4 Stainless Steel Hose Clamp for Collar (FAS)

## B) PACKAGING INFORMATION

Packing in boxes.  
Label indicating:  
product code, article, quantity,  
production batch,  
FIMO logo and figure.  
( Customer code on request ).



## C) MOUNTING INSTRUCTIONS

On request

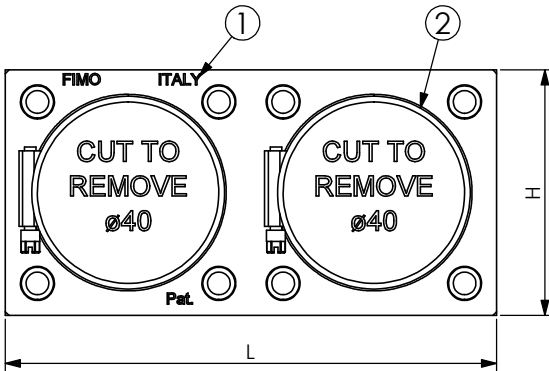
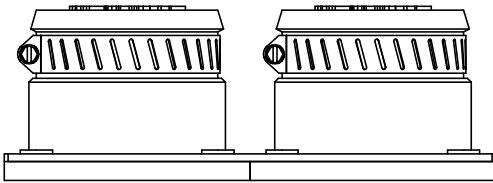
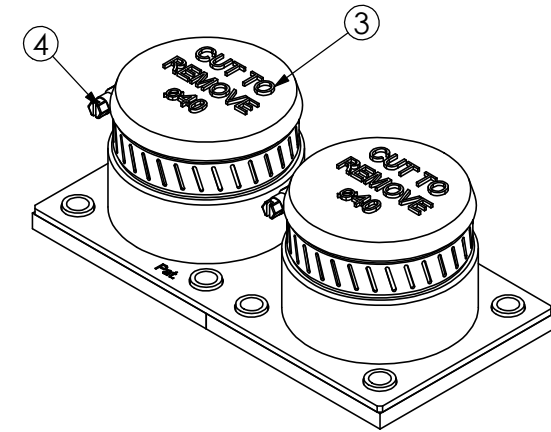
### CERTIFICATION

IEC 60529 IP67	Waterproof
REI 120	Fire Resistant
EN 1366-3:2009	Fire Resistant

CODE	ARTICLE	HOLES	MEASURES		WALL HOLE		FAS	LUS	BAG	BOX	WEIGHT
			H	L							
61 1515 0138	<b>PPS 1/40</b>	1 x Ø 40	65	65	1x Ø 40	-	1	1	1	10	125
61 1515 0162	<b>PPS 1/62</b>	1 x Ø 62	85	85	1 x Ø 62	-	1	1	1	10	157
61 1515 0001	<b>PPS 90</b>	1 x Ø 90	115	115	1 x Ø 100	90 x 90	1	1	1	10	330
61 1515 0011	<b>PPS 1/ 90</b>	1 x Ø 90	150	150	1 x Ø 92	90 x 90	1	1	1	10	560

RI	DATE	DR	DATE	AP	Description:  <b>PPS - Wall Entry</b>  Passing through Ø 40, 62, 90, for any kind of cable. Easy and quick sealing with hose clamp. Easy and quick installation. Fixings accessories included. Round and sectorial cushions available. Grounding bar on request.
02					
01					
00	29/01/16	G.S.	29/01/16	A.V.	
1 <sup>ST</sup> EMISSION					
 <b>Setting Installation Standards</b>					

# PRODUCT DATA SHEET



## A) SPECIFICATIONS

- 1 Stainless Steel Plate
- 2 Black EPDM Gasket
- 3 Removable Protective Film
- 4 Stainless Steel Hose Clamp for Collar (FAS)

## B) PACKAGING INFORMATION



Packing in boxes.  
Label indicating:  
product code, article, quantity,  
production batch,  
FIMO logo and figure.  
( Customer code on request ).

## C) MOUNTING INSTRUCTIONS



On request

## CERTIFICATION

IEC 60529 IP67	Waterproof
REI 120	Fire Resistant
EN 1366-3:2009	Fire Resistant

CODE	ARTICLE	HOLES	MEASURES		WALL HOLE		FAS	LUS	BAG	BOX	WEIGHT
			H	L							
61 1515 0238	PPS 2/40	2 x Ø 40	65	130	2x Ø 40	-	2	2	1	10	250
61 1515 0262	PPS 2/62	2 x Ø 62	85	170	2 x Ø 62	-	2	2	1	10	314
61 1515 0012	PPS 2/ 90	2 x Ø 90	150	300	2x Ø 90	90 x 240	2	2	1	-	1000

RI	DATE	DR	DATE	AP	Description:  <b>PPS - Wall Entry</b>  Passing through Ø 40, 62, 90, for any kind of cable. Easy and quick sealing with hose clamp. Easy and quick installation. Fixings accessories included. Round and sectorial cushions available. Grounding bar on request.
02					
01					
00	29/01/16	G.S.	29/01/16	A.V.	
1 <sup>ST</sup> EMISSION					

# PRODUCT DATA SHEET

## A) SPECIFICATIONS

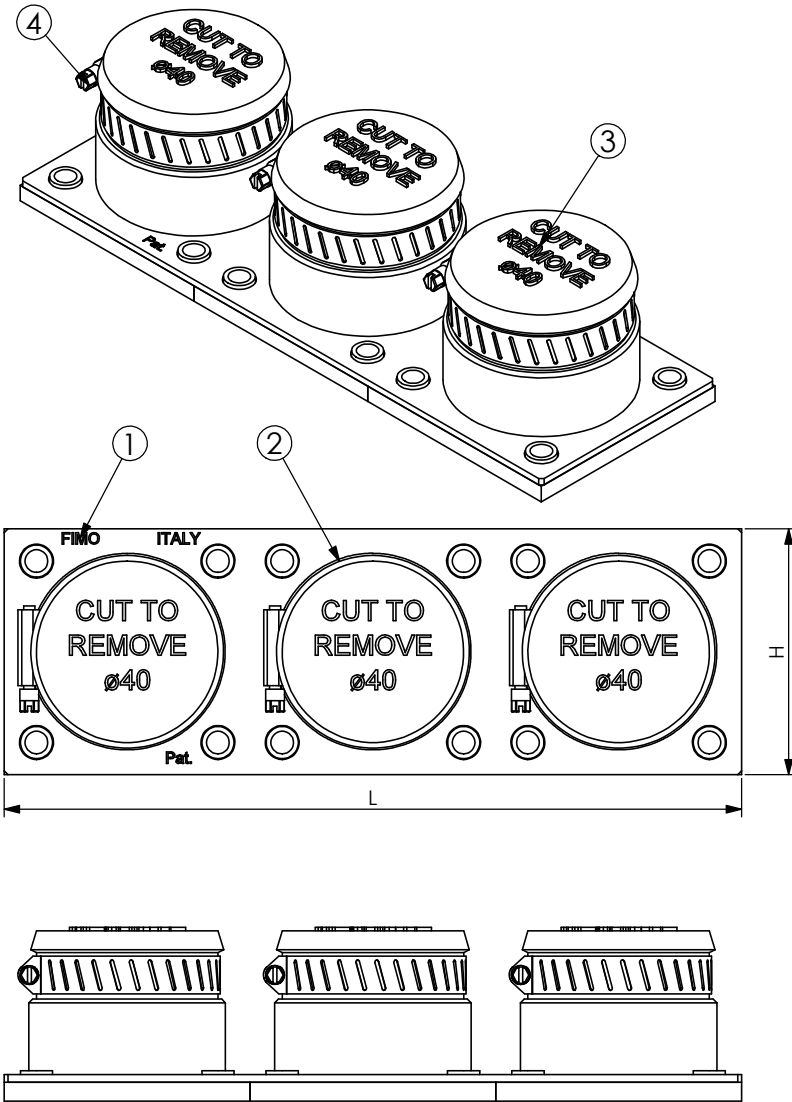
- 1 Stainless Steel Plate
- 2 Black EPDM Gasket
- 3 Removable Protective Film
- 4 Stainless Steel Hose Clamp for Collar (FAS)

## B) PACKAGING INFORMATION

Packing in boxes.  
Label indicating:  
product code, article, quantity,  
production batch,  
FIMO logo and figure.  
( Customer code on request ).



## C) MOUNTING INSTRUCTIONS

On request





## CERTIFICATION

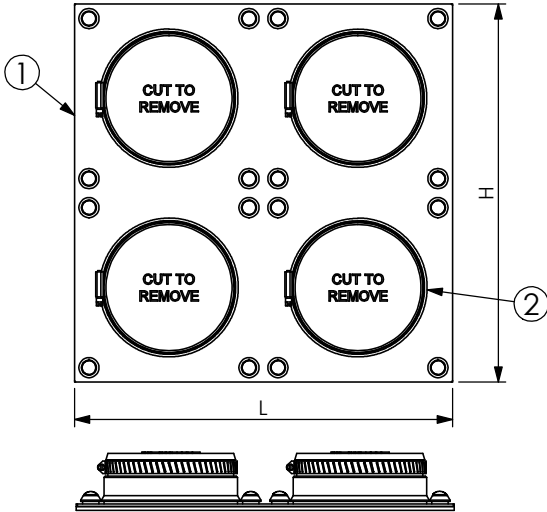
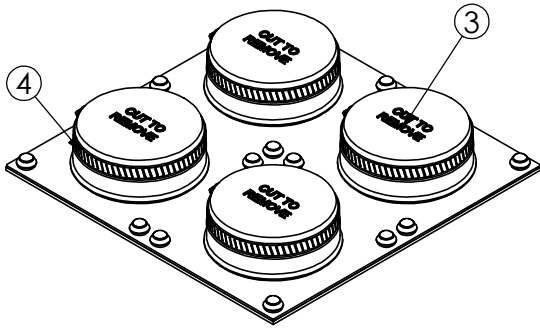
IEC 60529 IP67	Waterproof
REI 120	Fire Resistant
EN 1366-3:2009	Fire Resistant

CODE	ARTICLE	HOLES	MEASURES		WALL HOLE		FAS	LUS	BAG	BOX	WEIGHT
			H	L							
61 1515 0338	PPS 3/40	3 x Ø 40	65	195	3 x Ø 40	-	3	2	1	10	375
61 1515 0362	PPS 3/62	3 x Ø 62	85	255	3 x Ø 62	-	3	2	1	10	471
61 1515 0013	PPS 3/ 90	3 x Ø 90	150	450	3 x Ø 90	90 x 390	3	2	1	-	1400

RI	DATE	DR	DATE	AP	Description:  <b>PPS - Wall Entry</b>  Passing through Ø 40, 62, 90, for any kind of cable. Easy and quick sealing with hose clamp. Easy and quick installation. Fixings accessories included. Round and sectorial cushions available. Grounding bar on request.
02					
01					
00	29/01/16	G.S.	29/01/16	A.V.	
1 <sup>ST</sup> EMISSION					

# PRODUCT DATA SHEET



## A) SPECIFICATIONS

- 1 Stainless Steel Plate
- 2 Black EPDM Gasket
- 3 Removable Protective Film
- 4 Stainless Steel Hose Clamp for Collar (FAS)

## B) PACKAGING INFORMATION

Packing in boxes.  
Label indicating:  
product code, article, quantity,  
production batch,  
FIMO logo and figure.  
( Customer code on request ).

## C) MOUNTING INSTRUCTIONS

On request

### CERTIFICATION

IEC 60529 IP67	Waterproof
REI 120	Fire Resistant
EN 1366-3:2009	Fire Resistant

FIGURE	CODE	ARTICLE	HOLES	MEASURES		WALL HOLE		FAS	LUS	BAG	BOX	WEIGHT
				H	L							
	61 1515 0022	PPS 2x2/ 90	4 x Ø 90	300	300	4 x Ø 90	240 x 240	4	2	1	-	2000
	61 1515 0023	PPS 2x3/ 90	6 x Ø 90	300	450	6 x Ø 90	240 x 390	6	3	1	-	3000
	61 1515 0024	PPS 2x4/ 90	8 x Ø 90	300	600	8 x Ø 90	240 x 540	8	3	1	-	4000
	61 1515 0025	PPS 2x5/ 90	10 x Ø 90	300	750	10 x Ø 90	240x690	10	4	1	-	5200
	61 1515 0026	PPS 2x6/ 90	12 x Ø 90	300	900	12 x Ø 90	240 x 840	12	4	1	-	5800
	61 1515 0033	PPS 3x3/ 90	9 x Ø 90	450	450	9 x Ø 90	390 x 390	9	4	1	-	4600

RI	DATE	DR	DATE	AP	Description:  <b>PPS - Wall Entry</b>  Passing through Ø 40, 62, 90, for any kind of cable. Easy and quick sealing with hose clamp. Easy and quick installation. Fixings accessories included. Round and sectorial cushions available. Grounding bar on request.
02					
01					
00	29/01/16	G.S.	29/01/16	A.V.	
1 <sup>ST</sup> EMISSION					