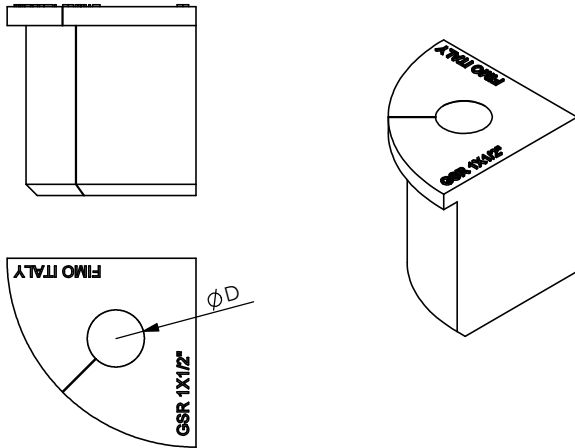


# PRODUCT DATA SHEET



## A) SPECIFICATIONS

Material: EPDM  
UV resistant.  
Colour: black.

## B) PACKAGING INFORMATION

Packing in boxes.  
Label indicating:  
product code, article, quantity,  
production batch,  
FIMO logo and figure.  
( Customer code on request ).

## C) MOUNTING INSTRUCTIONS

On request

FIGURE	CODE	ARTICLE	FOR CABLES	ø D	HOLES	BAG	BOX	WEIGHT
	61 0490 1009	<b>GSR 1x9</b>	8÷10	8÷10	1	10	50	88
	61 0490 1014	<b>GSR 1x1/4"-(11)</b>	1/4"	10÷12	1	10	50	86
	61 0490 1013	<b>GSR 1x13</b>	12÷14	12÷14	1	10	50	80
	61 0490 1012	<b>GSR 1x1/2"-(17)</b>	1/2"-3/8"	16÷18	1	10	50	76
	61 0490 1019	<b>GSR 1x19</b>	18÷20	18÷20	1	10	50	74
	61 0490 1025	<b>GSR 1x25</b>	24÷26	24÷26	1	10	50	70
	61 0490 1078	<b>GSR 1x7/8"-(28)</b>	7/8"	27÷29	1	10	50	54
	61 0490 2009	<b>GSR 2x9</b>	8÷10	8÷10	2	10	50	80
	61 0490 2014	<b>GSR 2x1/4"-(11)</b>	1/4"	10÷12	2	10	50	78
	61 0490 2013	<b>GSR 2x13</b>	12÷14	12÷14	2	10	50	72
	61 0490 2012	<b>GSR 2x1/2"-(17)</b>	1/2"-3/8"	16÷18	2	10	50	66
	61 0490 3006	<b>GSR 3x6</b>	RG223	5÷7	3	10	50	80
	61 0490 3008	<b>GSR 3x8</b>	RG223	7÷9	3	10	50	82
	61 0490 3014	<b>GSR 3x1/4"-(11)</b>	1/4"	10÷12	3	10	50	85
	61 0290 7814	<b>GSR 2x7/8" +1x1/4"</b>	7/8"+1/4"	2x27÷29 1x10÷12	2+1	10	50	160
	61 0290 7812	<b>GSR 2x7/8" +1x1/2"</b>	7/8"+1/2"	2x27÷29 1x16÷18	2+1	10	50	160
	61 0290 7813	<b>GSR 2x7/8" +1x14</b>	7/8"+14	2x27÷29 1x13÷15	2+1	10	50	60
	61 0290 7818	<b>GSR 2x7/8" +1x18</b>	7/8"+18	2x27÷ 29 1x16÷18	2+1	10	50	160
	61 0290 2113	<b>GSR 2x21+1x13</b>	20÷22+12÷14	2x20÷22 1x12÷14	2+1	10	50	160
	61 0290 5009	<b>GSR 5x9</b>	8÷10	8÷10	5	10	50	160

RI	DATE	DR	DATE	AP	Description:
02					<b>GSR - Sectorial Cushions</b>
01					
00	07/10/2011	E.B.	07/10/2011	A.V.	
1 <sup>ST</sup> EMISSION					
					Use: Combinable Sectorial Cushions with <b>round</b> holes, for <b>PPS</b> Ø 90