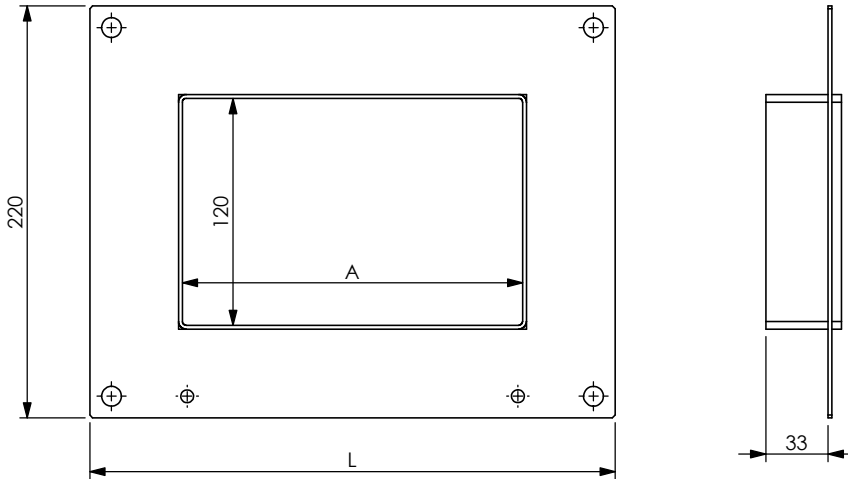
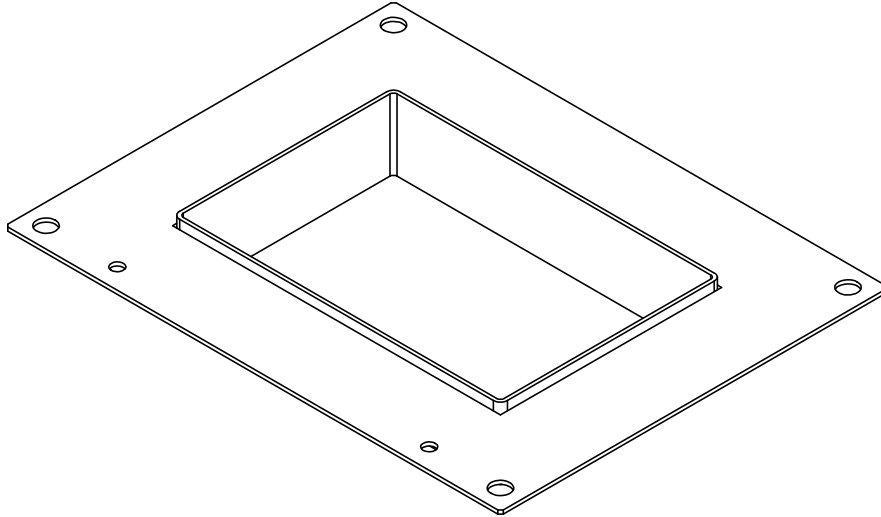


PRODUCT DATA SHEET



MATERIAL

Black Polyester Painted Mild Steel

CODE	ARTICLE	MEASURES		WALL OPENINGS Dimensions Referred to Frame's external size	FOR	BOX	WEIGHT
		A	L				
61 1511 2014	COR 140	140	240	160x140	GPR GPT GPE 20	1	900
61 1511 2018	COR 180	180	280	200x140		1	1100
61 1511 2023	COR 230	230	330	250x140		1	1400
61 1511 2028	COR 280	280	380	300x140		1	1800
61 1511 2033	COR 330	330	430	350x140		1	2250

RI	DATE	DR	DATE	AP	Description: COR - Steel Frames <i>COR - Steel Frame for GPR Cushions For the realization of the wall entries in combination with GPR, GPT cushions and GPE 20 Tightening Expander.</i>
02					
01					
00	29/01/16	G.S.	29/01/16	A.V.	
1 ST EMISSION					

