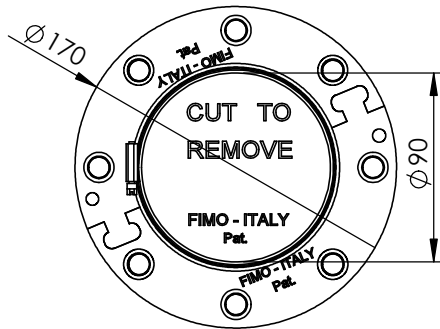
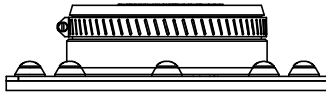
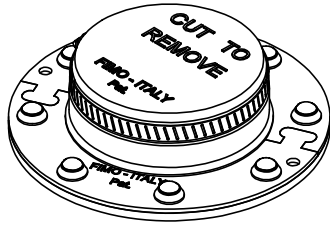


# PRODUCT DATA SHEET



## MATERIAL

Gasket	Black EPDM U.V. Resistant
Flanges	AISI 304 Stainless Steel
Hose Clamp	AISI 304 Stainless Steel

## CERTIFICATION

IEC 60529 IP67	Waterproof
REI 120	Fire Resistant

CODE	ARTICLE	TRACES	WALL HOLE	LUS	BOX	WEIGHT
61 1513 0090	PAS 90	Ø 90	Ø 92÷110	1	1	550

RI	DATE	DR	DATE	AP	Description:  <b>PAS 90 - Assembly Wall Entry</b>  <i>To seal passages of cables, even when already installed. Combinable with FIMO <b>GSR, GSE, GST</b> cushions.</i>
02					
01					
00	21/10/14	G.S.	21/10/14	A.V.	
1 <sup>ST</sup> EMISSION					