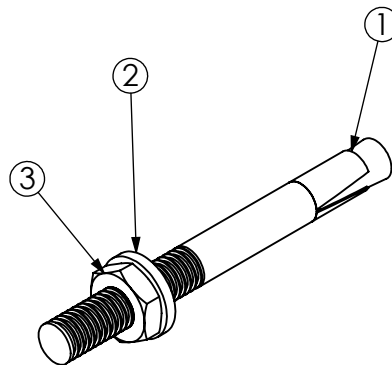
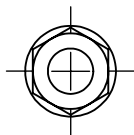
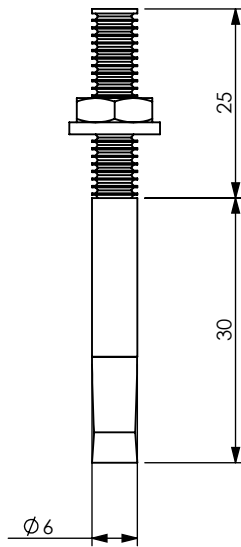


PRODUCT DATA SHEET



A) SPECIFICATIONS

- 1 Stainless Steel Anchor
- 2 Flat washer
- 3 Nut

B) PACKAGING INFORMATION

Packing in boxes.
Label indicating:
product code, article, quantity,
production batch,
FIMO logo and figure.
(Customer code on request).

C) MOUNTING INSTRUCTIONS

On request

code	1013010655
article	MF 6x55/25

100	0.002kg

RI	DATE	DR	DATE	AP	Description: MF 6x55/25 Stainless Steel Anchors
02					
01					
00	15/11/2016	E.B.	15/11/2016	A.V.	
1 ST EMISSION					Use: Fixing of radiating cable clamps