

PRODUCT DATA SHEET

A) SPECIFICATIONS

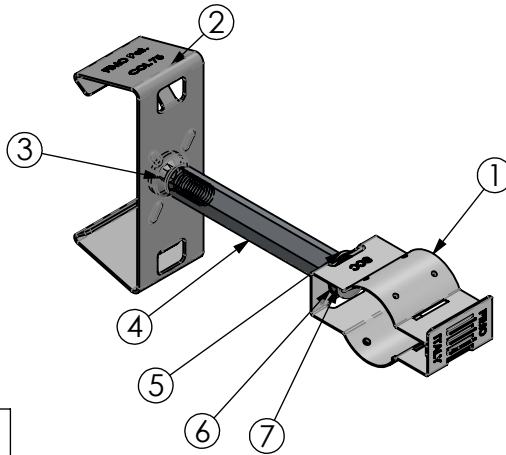
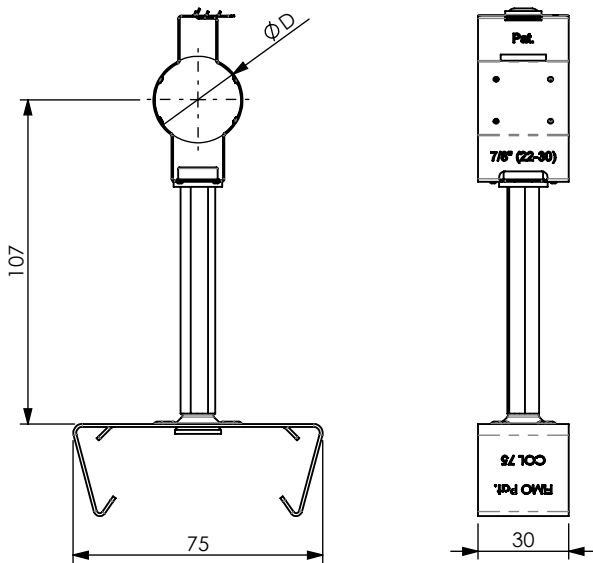
- 1 SCC30 Click Collars for Cables and Pipes. Ratchet-tightening and opening by hand without tool. Monoblock body made of flexible Stainless Steel.
- 2 COL 55 Stainless Steel Snap on CLlip.
- 3 VSI 8x20 Stainless Steel Countersunk Head Socket Screw.
- 4 MEI 10/75 Stainless Steel Hexagonal Spacer.
- 5 REI 8 Stainless Steel Elastic Washer.
- 6 RPI 8/16 Stainless Steel Flat Washer.
- 7 VCI 8x20 Stainless Steel Hexagon Head Socket Screw.

B) DELIVERY MODALITIES

Packing in boxes. Label indicating: product code, article, quantity, production batch, FIMO logo and figure. (Customer code on request).

C) MOUNTING INSTRUCTIONS

On request



| | |
|---------|----------------------|
| code | 6120100030.75 |
| article | KIT SCC 30 + COL 75 |

| | | |
|----------|----|----------|
| D | | |
| 22-30 | 50 | 0.0958kg |

| RI | DATE | DR | DATE | AP | Description: |
|--------------------------|------------|------|------------|------|---|
| 02 | | | | | KIT SCC 30 + COL 75 Radiating Cable Clamps |
| 01 | | | | | |
| 00 | 17/12/2015 | E.B. | 17/12/2015 | A.V. | |
| 1 ST EMISSION | | | | | |
| | | | | | Use: Fixing of radiating cables on profiles/sections |