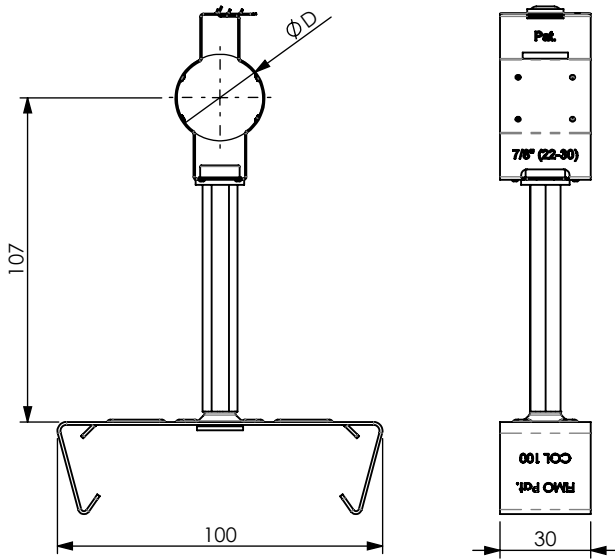


# PRODUCT DATA SHEET



## A) SPECIFICATIONS

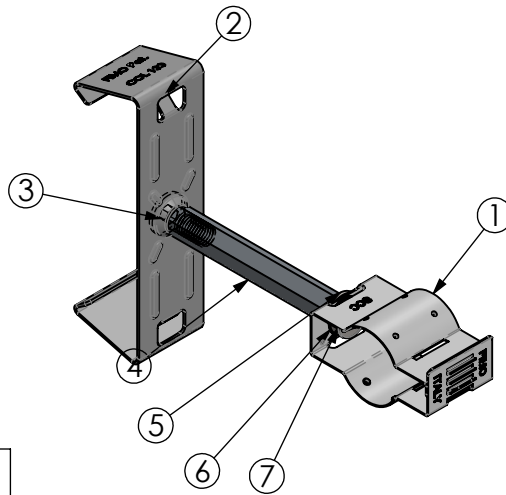
- 1 SCC30 Click Collars for Cables and Pipes. Ratchet-tightening and opening by hand without tool. Monoblock body made of flexible Stainless Steel.
- 2 COL 55 Stainless Steel Snap on CLlip.
- 3 VSI 8x20 Stainless Steel Countersunk Head Socket Screw.
- 4 MEI 10/75 Stainless Steel Hexagonal Spacer.
- 5 REI 8 Stainless Steel Elastic Washer.
- 6 RPI 8/16 Stainless Steel Flat Washer.
- 7 VCI 8x20 Stainless Steel Hexagon Head Socket Screw.

## B) DELIVERY MODALITIES

Packing in boxes. Label indicating: product code, article, quantity, production batch, FIMO logo and figure. (Customer code on request).

## C) MOUNTING INSTRUCTIONS

On request



|         |                       |
|---------|-----------------------|
| code    | <b>6120100030.100</b> |
| article | KIT SCC 30 + COL 100  |

|          |    |          |
|----------|----|----------|
| <b>D</b> |    |          |
| 22-30    | 50 | 0.1021kg |

| RI                       | DATE       | DR   | DATE       | AP   | Description:   |
|--------------------------|------------|------|------------|------|--|
| 02                       |            |      |            |      | <b>KIT SCC 30 + COL 100<br/>Radiating Cable Clamps</b> |
| 01                       |            |      |            |      |  |
| 00                       | 17/12/2015 | E.B. | 17/12/2015 | A.V. |  |
| 1 <sup>ST</sup> EMISSION |            |      |            |      |  |
|                          |            |      |            |      | Use: Fixing of radiating cables on profiles/sections   |