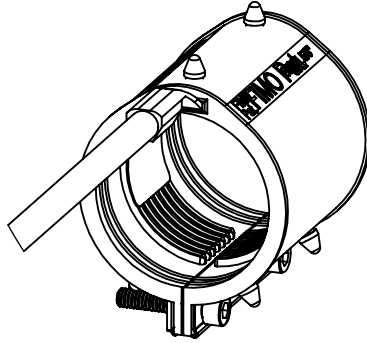
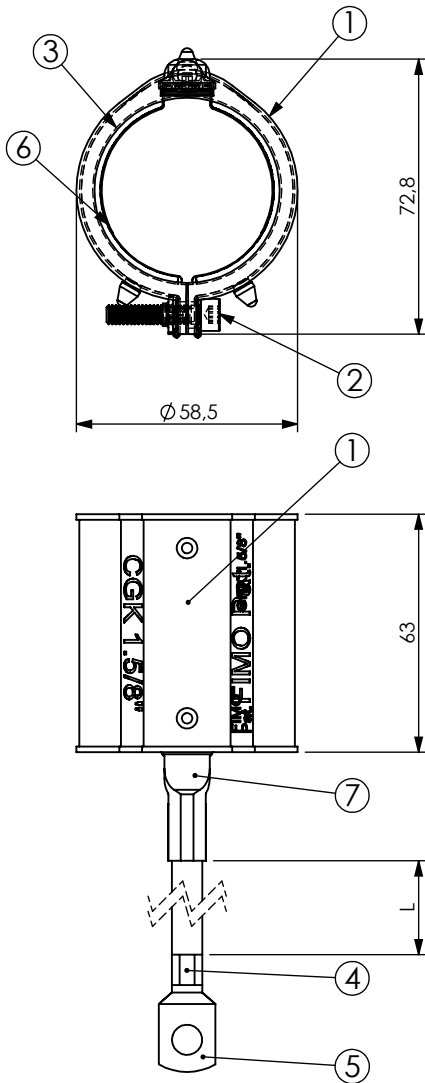


PRODUCT DATA SHEET



A) SPECIFICATIONS

- 1 Shell: Stainless steel.
- 2 Hexagon socket head Screw: Stainless steel VCI 5x25
- 3 Gasket: Rubber EPDM.
- 4 16sqmm Connection cable: L=500 PE rigid copper cable.
- 5 Cable lug Ø8: Tinned copper.
- 6 Inner Contact: Tinned copper.
- 7 Contact bar: Tinned brass.

B) RESISTANCE TESTS

Waterproof test:

IP 68 (FIMO Test according to IEC60529 normative).

Environmental Resistance Test: IEC 68-2-14

Salt Fog Test: UNI 9227

Contact Resistance $\leq 1\text{mOhm}$

Operating Temperature $-40^{\circ}\text{C} +85^{\circ}\text{C}$

C) PACKAGING INFORMATION

Packing in boxes.

Label indicating:

product code, article, quantity,

production batch,

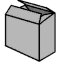

FIMO logo and figure.


(Customer code on request).

D) MOUNTING INSTRUCTIONS

IST 027

code	6115090158
article	CGK 1.5/8" M

D	L		
50-52	500	10	0.2606kg

RI	DATE	DR	DATE	AP	Description: Grounding Kit
02					
01		E.B.		A.V.	
00	26/03/2015	E.B.	26/03/2015	A.V.	
1 ST EMISSION					Use: Earthing of coaxial cables.
 Setting Installation Standards			