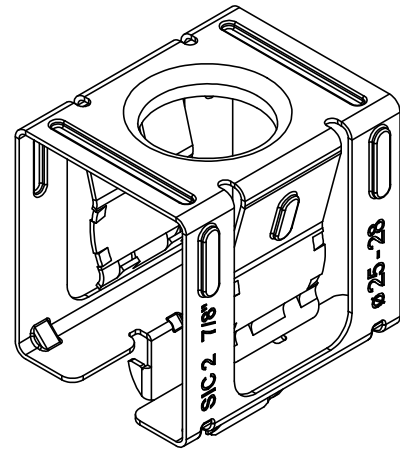
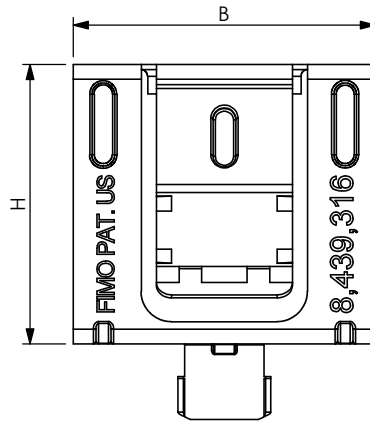
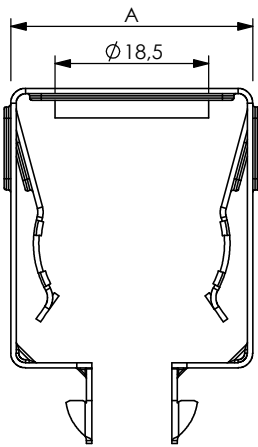


PRODUCT DATA SHEET





MATERIAL

AISI 301 Stainless Steel



CODE	ARTICLE	FOR CABLES	Ø CABLES	A	B	H	BAG	BOX	WEIGHT
61 2009 0020	SIC 1	1/2"	Ø 13 ÷ 19	32	40	37	20	100	30
61 2009 0030	SIC 2	7/8"	Ø 26 ÷ 29				20	100	30
61 2009 0040	SIC 3	1.1/4"	Ø 36 ÷ 42	56	45	67	20	100	86
61 2009 0050	SIC 4	1.5/8"	Ø 48 ÷ 52				20	100	86

RI	DATE	DR	DATE	AP	Description:
02	12/12/19	G.S.	12/12/19	A.V.	SIC- stainless steel Snap-in Cable Clamps
01	07/09/18	G.S.	07/09/18	A.V.	
00	19/10/16	G.S.	19/10/16	A.V.	
	1 ST EMISSION				
 					Use:
					Hooking in Ø 18 holes on PCA profiles or APU adaptors

FI.MO.TEC. S.p.a. reserves the right to modify the technical specifications without prior notice, according to the technical progress
Copyright FI.MO.TEC. S.p.a. All rights reserved.